

New Maviroll®

High speed doors for inside use.



- *The new Maviroll is a sturdy yet simple High-Speed Door, that provides safety and durability.*
- *Unique Flexible track for Break-away Curtain with Automatic Reinsertion System.*
- *Use: Industrial area, supermarket, food industry, chilled room.*

The new MAVIROLL door is a High speed door with condensed Maviflex's technologies.

This compact and quiet door fits all your indoor environments.

Furthermore, we can tailor-make your door, to maximize your budget, according to your specifications.

The new MAVIROLL door will delight you with its exceptional reliability.

It is of course equipped with the patented deformable flexible guideway.

Sold on every continent, this system guarantees a permanent feature of the door.

To meet the requirements of reaction to fire, the curtain is a M2 (NFP92.507).

Equipped with active and passive safety optimum MAVIROLL, the New MAVIROLL door complies with the Standard EN 13241-1.

In the current trend, especially the door fabric is completely recyclable through the system Texloop.



Full Time Operating Service

Unique Flexible Track.

Maviflex Rapid Roll Door with break-away increases your safety and efficiency.

Reduces damages of the curtain and the guide tracks

The gap between the two side guides is wide enough to ensure easy and safe operation of the door panel even after a hit by a forklift truck.

Maviflex high-speed door remains safely operational.

No Hassle, no Damage

The quality of Maviflex high-speed door range lies in its strong simple design.

No steel track damage by repeated impacts. The track is designed with two side-guides made from heavy duty flexible polyester fabric.

No fouling of the panel means no damage of the curtain.

No more trouble with some rigid bottom edge electronics.

Maviflex adopts the new soft bottom edge technology.

Virtually no maintenance

Heavy duty flexible side guides save money on expensive repairs and frequent panel replacements.

Soft bottom edge takes durability to another dimension.

The flexible side guides reduce the flagging of the curtain in case of both negative and positive pressures or wind loads.

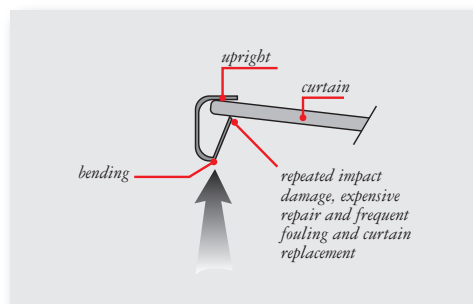
Noiseless operation

The New Maviroll curtain operates silently as the side-guides (tracks) are made from heavy-duty polyester fabric. No noisy steel or aluminium track !!

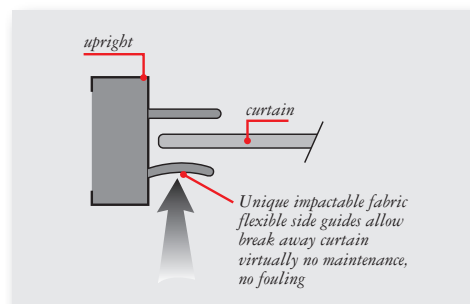
High-Speed Fabric Roll-up Door. Unique Flexible track.

Conventional high-speed doors Maviflex's unique flexible track.

High-Speed Fabric fold Door. Unique Flexible track.

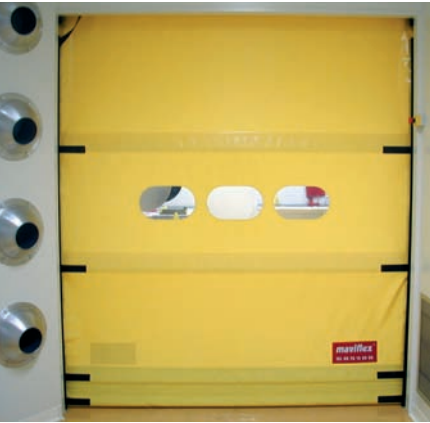


Conventional high-speed doors



Maviflex's unique flexible track

New Maviroll®



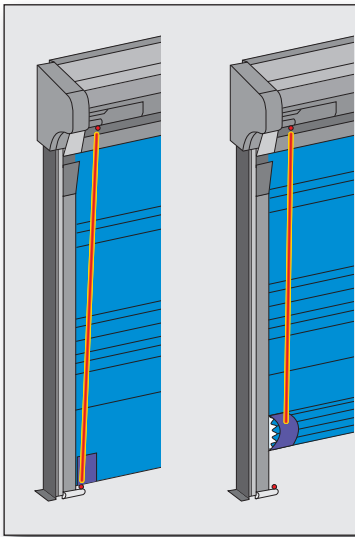
Multi safety device Norm EN 13241-1
The New MAVIROLL roll-up door complies with the norm EN 13241-1 and with CE marking.

Patented SAFE CONTROL system: unique vertical photocells to detect a contact under the curtain giving 180° safety protection.

Horizontal photocells to detect persons or vehicles crossing.
Closing speed 0.5 m/s.

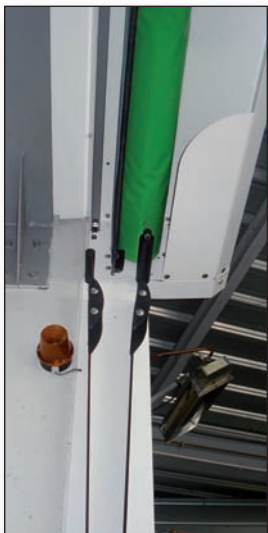
Manual for the operation and maintenance
OPTIONAL: safety light curtain

SAFE CONTROL Patented System®



The safe control system replaces the fragile and costly bottom rail. The light beam sweeps the curtain from top to bottom. When the curtain meets an obstacle, the tongue at the bottom of the curtain folds, and consequently cuts the safety beam which makes the curtain rolling up.

TRAFICONTROL automatic curtain reinsertion technology®



When the curtain goes down, it moves freely between the two flexible guides. Should the door be impacted when closing or opening, it carries on working, reinserts itself and is ready for the next operation. The door can work permanently.



black pocket in option

New Maviroll®

Specifications

Main characteristics

- New reliability concept, Flexible Track for Break-away curtain with automatic reinsertion system (Patent)
- The New Maviroll complies with EN 13241-1 Safety standard
- The beauty of this door lies in its strong simple design
- They are no belts, no drive chains, no cables, no pulleys... NO HASSLE !
- This design reduces maintenance costs
- Pre-assembled components, easy to install and to maintain
- This design saves energy, reduces noise
- Built-in draft resistance
- Use : internal
- Maximum size : 4000 x 4000 mm.

Frame

- Self supporting Alu-zinc steel frame (Uprights and Header beam) with Polyester powder coated finish, RAL colours on request
- Option: Stainless steel Pack for food processing area
- The New Maviroll, Unique Design with a non-welded frame Construction
- The frame contains no gaps, and is impervious to moisture
- Built-in high pressure cleanout system
- All components can be easily reached for cleaning (no dismantling needed)
- No area of water retention
- The door frame contains no gaps, and is resistant to moisture, acids, animal fats, rodents, insects and salt solutions
- Track fitted with Flexible guides on the uprights (option polyethylene guide)

Curtain

- Weight /sqm : 832 g
- Tear strength warp/weft : 50 daN
- Treatments : mildew / UV and salt resistant
- Finish : Acrylic varnish
- Cold crack temperature : -30° C
- Available in 23 standard colours
- Fabric curtain reinforced with horizontal strengtheners to provide maximum resistance in draft applications
- The New Maviroll curtain is built-in to withstand high drafts and negative pressures
- Option : Company logo painted to corporate colours
- Double skin curtain with insulated foam for chilled room
- Row of oblong windows or vision panels

Peripheral weatherseals

- Sealing top hood included
- Bottom sleeve seal, weather resistant

Barrier data

- Thermal insulation : $U = 5 \text{ Watt /m}^2/\text{°C}$
- Option : Double Skin $U = 2.7$
- Excellent thermal separation
- Sound attenuation : 16 dB A

Opening controls

- Manual Operation : Opening and closing by holding down the push-button
- Automatic operation : by choice of pull switch, induction loop, hand-held radio, radar etc...
- Closing time can be set between 1 and 30 seconds.

High-speed operation

- The average opening/closing speed of the maviroll is 1 m per second
- Closing : 0.5 m/s (conform to EN 12453)

Gear brake motor

- With IP 55 stainless Steel Brake
- Motor is fitted inside the top hood, polyurethane paint protection for food hygiene requirements
- 2 speed motor, 3 phase
- Power : 0.55 kW

Control box

- Standard : jamb-mounted control box (no IP)
- Options : Waterproof and dustproof ABS Control Box IP 65

Electrical supply

- Voltage option : 240 V or 400 V Three phase and earth, without neutral
- 220 V single phase if you have the option battery back-up

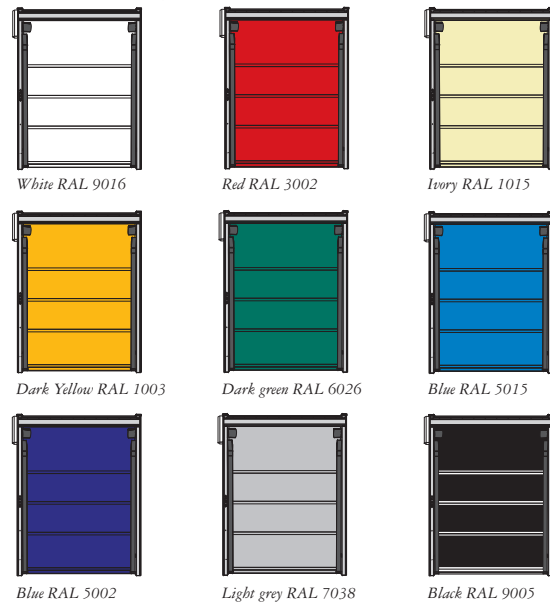
Clear dimensions

- the Maximum Door size is : 4000 mm Wide x 4000 mm High.
- Max 3500 x 3500 for the New Maviroll double skin.

Opening in case of Power failure

- Option : Hand-crank or battery back-up or battery back-up for automatic opening (power supply 230 V single phase for the door)

Match your corporate colours with 9 available frame and curtain colours



*Subject to provides stocks. RAL colours may vary.

Clearance and space requirements

